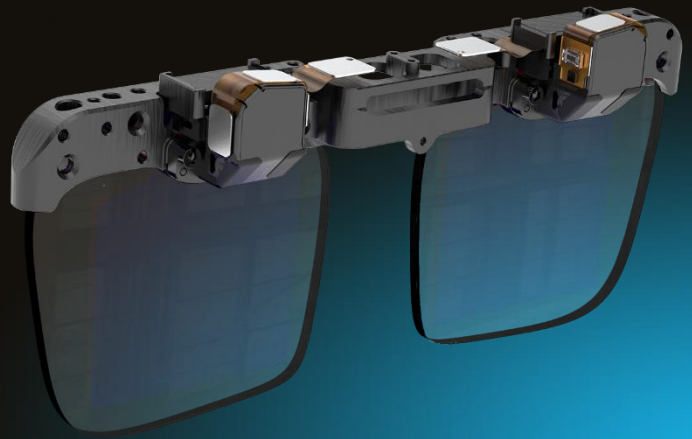
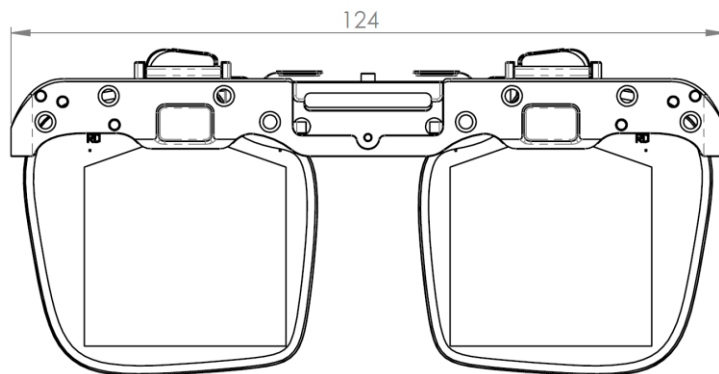
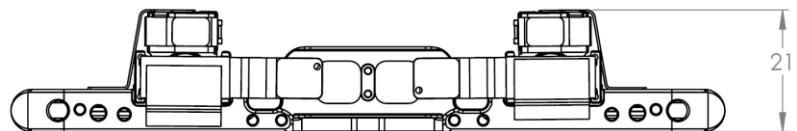
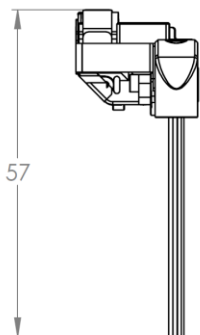


56° MERLIN MODULE SPECIFICATION SHEET



Parameter	Value	Unit	Comment
Binocular resolution	1920 x 1080	Pixels	
Eye relief	20	mm	
Display brightness	250	Nits	@ 5 Lumens D65 from light engine
Inter Pupillary Distance (IPD)	63.5	mm	
Refresh rate (Limited by Evaluation Kit only)	60	Hz	
Interface (Evaluation Kit)	USB-C display port alt mode		
System power (Module only)	2.1	Watts	Electronics interface at default brightness (5lumins)
Operating temperature	5 to 55	°C	
Storage temperature	-20 to 70	°C	
Weight	55	g	

DIMENSIONS FOR REFERENCE ONLY



2020 08 11



WaveOptics

Disclaimer

Information in this document is provided solely in connection with WaveOptics products. WaveOptics Ltd. We reserve the right to make changes, corrections, modifications or improvements, to this document, and the products and services described herein at any time, without notice.

All WaveOptics products are supplied pursuant to our terms and conditions.

Nothing in this Agreement shall be construed as granting or conferring any right in, title to or licence in respect of WaveOptics confidential information or intellectual property rights, which shall remain the property of WaveOptics at all times. No warranty is given by us related to the accuracy or completeness of any confidential information and all implied warranties or representations to that effect (save for fraudulent representations) are hereby excluded.

Unless otherwise set forth in our agreement with you, WaveOptics disclaims any express or implied warranty with respect to the use of our products including without limitation implied warranties of merchantability, fitness for a particular purpose (and their equivalents under the laws of any jurisdiction), and all our products are supplied 'as is' to our customer only.

WaveOptics, 141 Park Drive, Milton Park, Abingdon, Oxfordshire OX14 4SR.

Version 2

31 January 2020

© WaveOptics 2020