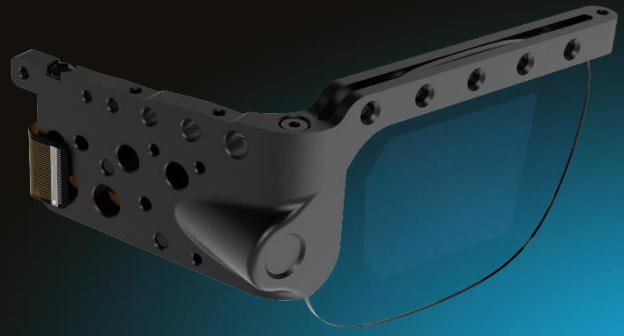
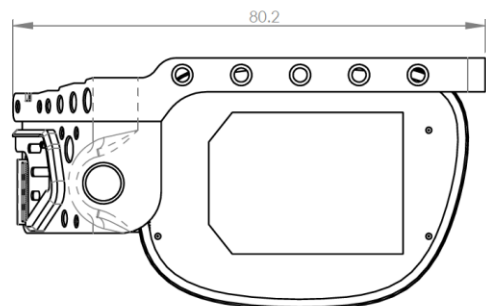
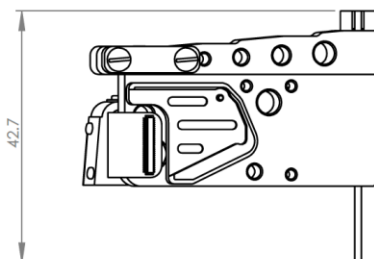
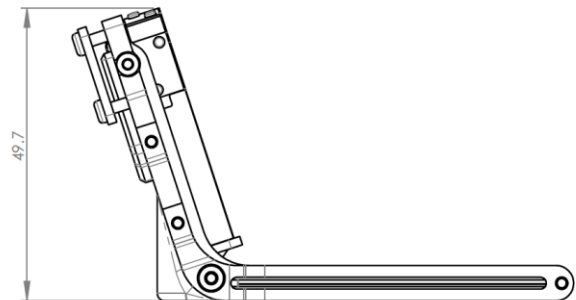


28° NIRVANA MODULE SPECIFICATION SHEET



Parameter	Value	Unit	Comment
Monocular resolution	WVGA 854 x 480	Pixels	Portrait
Eye relief	24	mm	
Display brightness	800	Nits	@ 5 Lumens D65 from light engine
Refresh rate (Evaluation Kit only)	60	Hz	
Interface (Evaluation Kit only)	USB-C display port alt mode		
System power (Evaluation Kit only)	1.6	Watts	Electronics interface at default brightness
Operating temperature	-10 to 55	°C	
Storage temperature	-30 to 70	°C	
Weight	28.7	g	

DIMENSIONS FOR REFERENCE ONLY





WaveOptics

Disclaimer

Information in this document is provided solely in connection with WaveOptics products. WaveOptics Ltd. We reserve the right to make changes, corrections, modifications or improvements, to this document, and the products and services described herein at any time, without notice.

All WaveOptics products are supplied pursuant to our terms and conditions.

Nothing in this Agreement shall be construed as granting or conferring any right in, title to or licence in respect of WaveOptics confidential information or intellectual property rights, which shall remain the property of WaveOptics at all times. No warranty is given by us related to the accuracy or completeness of any confidential information and all implied warranties or representations to that effect (save for fraudulent representations) are hereby excluded.

Unless otherwise set forth in our agreement with you, WaveOptics disclaims any express or implied warranty with respect to the use of our products including without limitation implied warranties of merchantability, fitness for a particular purpose (and their equivalents under the laws of any jurisdiction), and all our products are supplied 'as is' to our customer only.

WaveOptics, 141 Park Drive, Milton Park, Abingdon, Oxfordshire OX14 4SR.

Version 2

31 January 2020

© WaveOptics 2020