

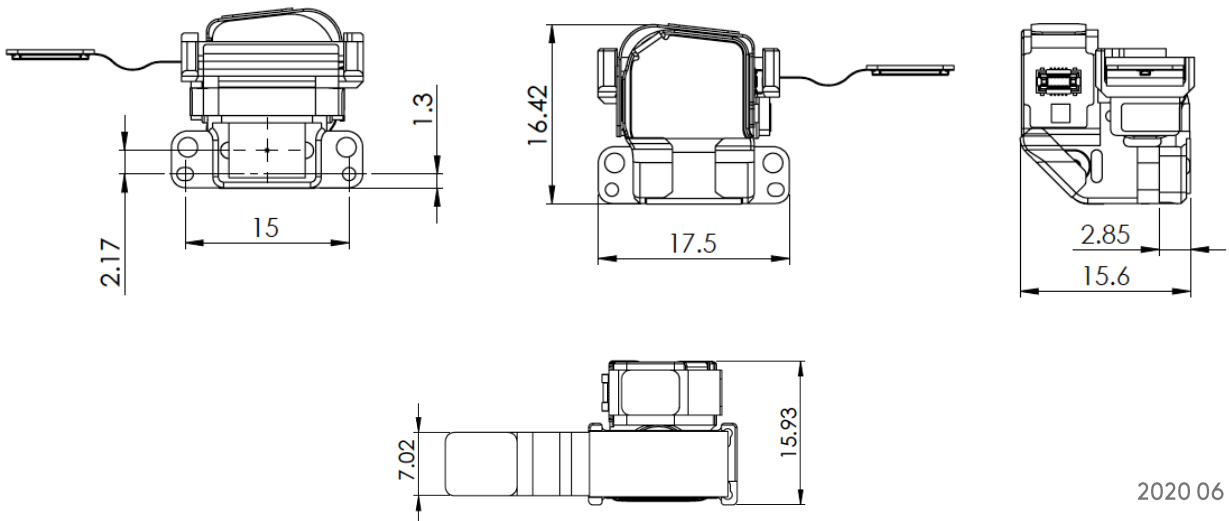
56° MERCURY PROJECTOR SPECIFICATION SHEET



LIGHT ENGINE (Mercury)

Parameter	Value	Unit	Comment
Projector type	LCOS		
Field of View (FOV)	56°	Degree	Diagonal
Image orientation	Landscape		
Aspect ratio	16:9		
Display resolution	1920 x 1080	Pixels	
Projection type	Colour sequential		
MTF	18	Cycles/degree	≥20% contrast
Flux at exit pupil	>8	Lumens/Watt	Target value. LED only
Dimensions	16.4 x 17.5x 15.9	mm	See below
Weight	6	g	
Exit pupil diameter	3x2.6	mm	
Exit pupil standoff	0.4	mm	
Operating temperature	10 to 55	°C	
Storage temperature	-20 to 70	°C	

DIMENSIONS – FOR REFERENCE ONLY



2020 06 26



WaveOptics

Disclaimer

Information in this document is provided solely in connection with WaveOptics products. WaveOptics Ltd. We reserve the right to make changes, corrections, modifications or improvements, to this document, and the products and services described herein at any time, without notice.

All WaveOptics products are supplied pursuant to our terms and conditions.

Nothing in this Agreement shall be construed as granting or conferring any right in, title to or licence in respect of WaveOptics confidential information or intellectual property rights, which shall remain the property of WaveOptics at all times. No warranty is given by us related to the accuracy or completeness of any confidential information and all implied warranties or representations to that effect (save for fraudulent representations) are hereby excluded.

Unless otherwise set forth in our agreement with you, WaveOptics disclaims any express or implied warranty with respect to the use of our products including without limitation implied warranties of merchantability, fitness for a particular purpose (and their equivalents under the laws of any jurisdiction), and all our products are supplied 'as is' to our customer only.

WaveOptics, 141 Park Drive, Milton Park, Abingdon, Oxfordshire OX14 4SR.

Version 2

31 January 2020

© WaveOptics 2020